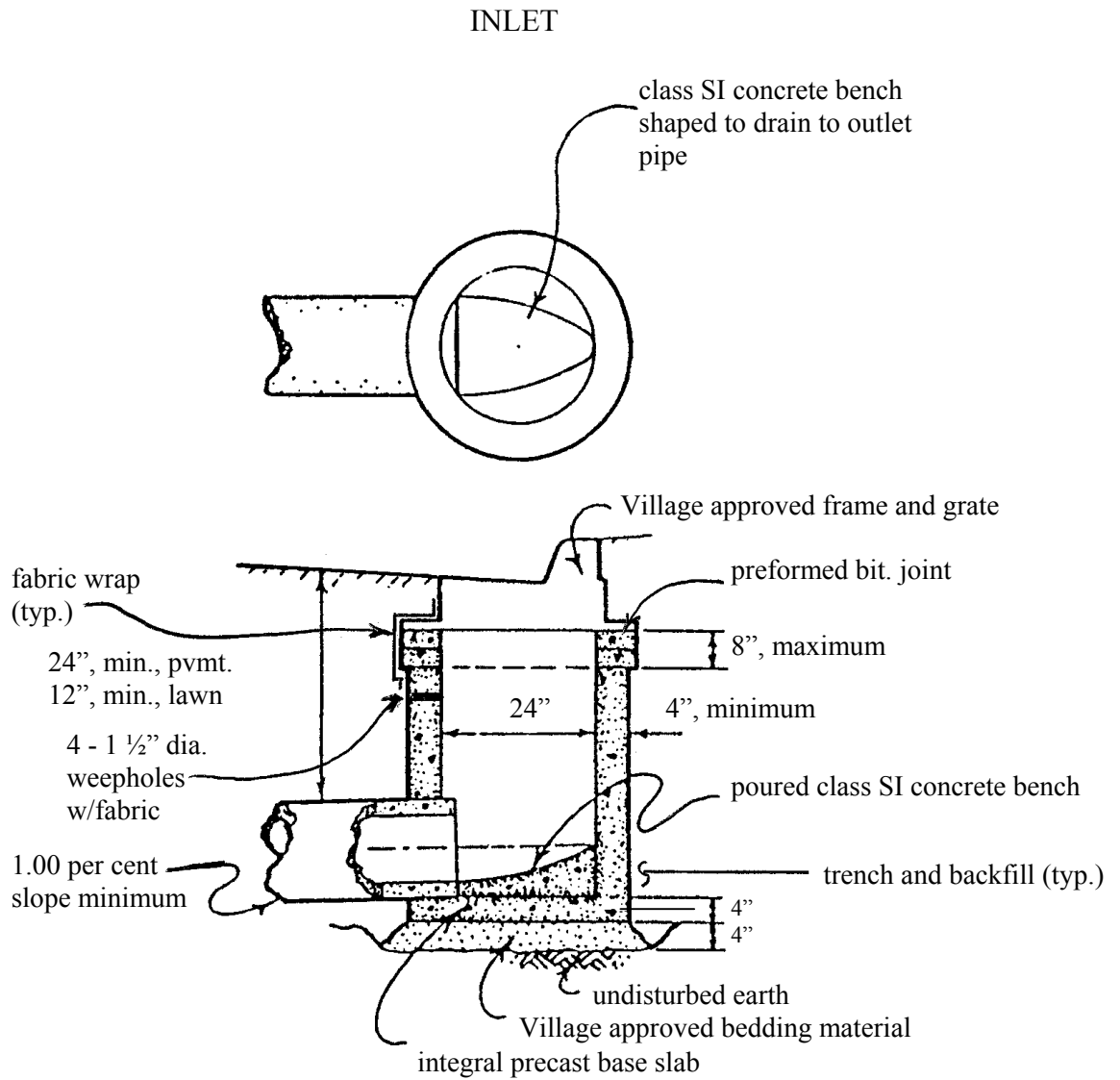


**VILLAGE OF VERNON HILLS
EXHIBIT NO. 9**



Notes:

1. Inlet barrel sections shall conform to A.S.T.M. Designation C478.
2. Minimum pipe size for inlets in public street is 12 inches in diameter.
3. Ductile iron pipe shall be used in paved areas of public streets for inlet connections if less than 3 feet of cover is provided.
4. Trench and backfill required around all structures.
5. Underdrains are required on either side of low point structures, for a distance of 100 feet both sides of structure.