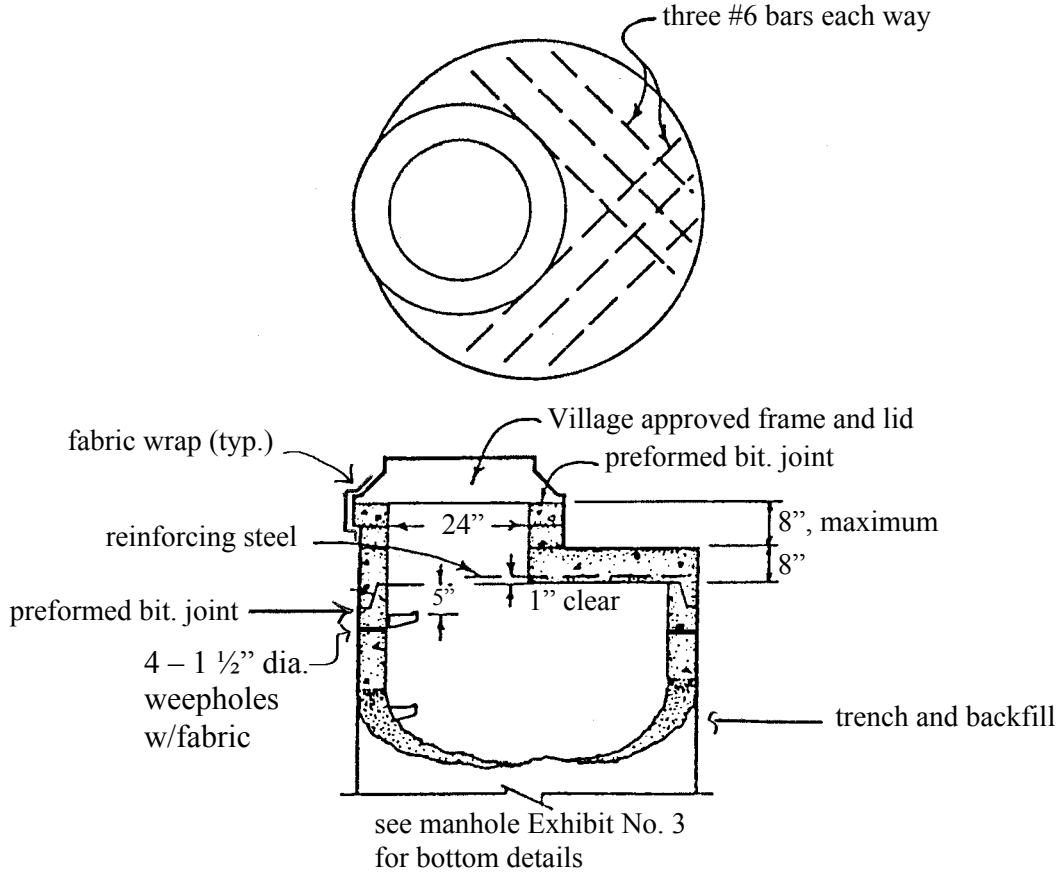


**VILLAGE OF VERNON HILLS
EXHIBIT NO. 5**

FLAT SLAB TOP FOR STORM RESTRICTED DEPTH MH.



Note:

1. A 6" slab top may be allowed for 48" diameter restricted depth manholes not in pavement.