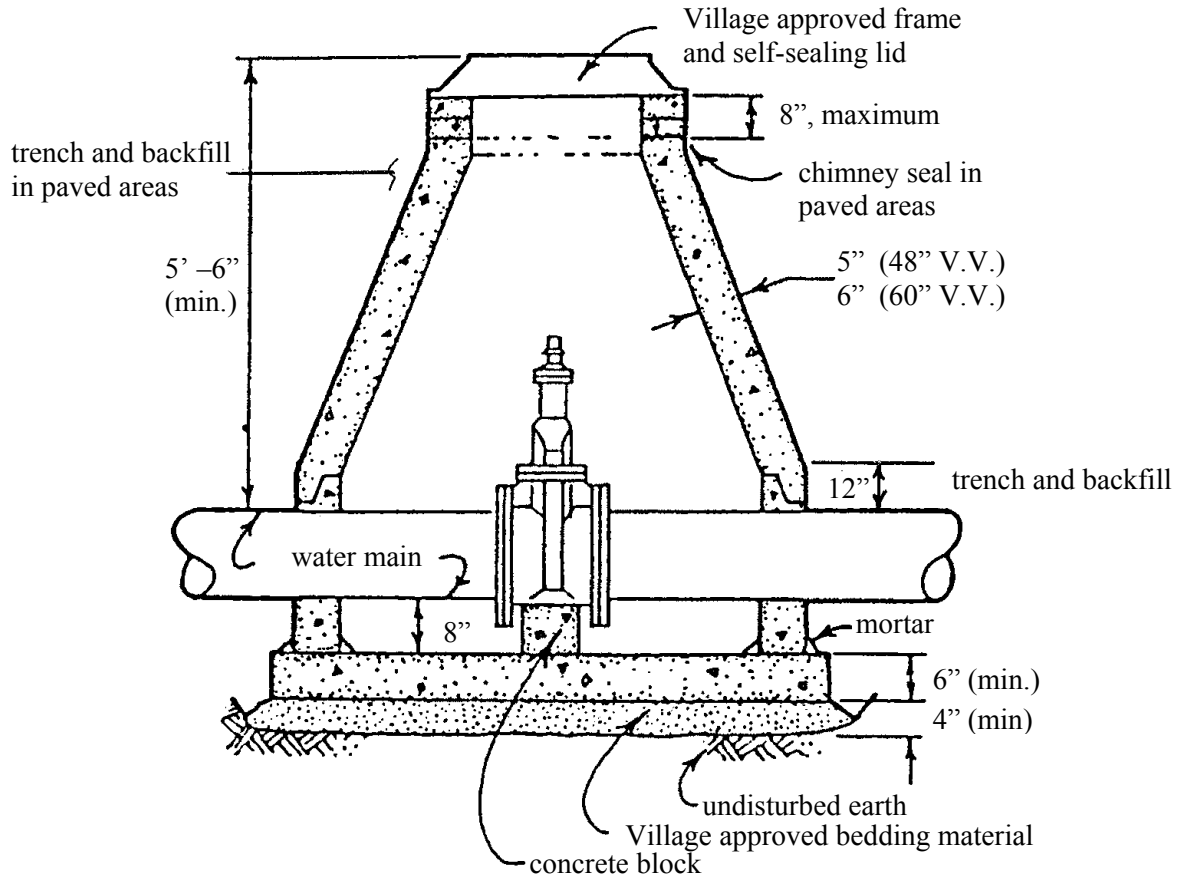


**VILLAGE OF VERNON HILLS
EXHIBIT NO. 16**

VALVE VAULT



Notes:

1. Water main 10 inches or more in diameter shall require a 60 inch diameter valve vault; water main less than 10 inches in diameter shall require a 48 inch valve vault. All pressure connections require a 60 inch minimum diameter valve vault.
2. Valve vault barrel sections shall conform to A.S.T.M. Designation C478.
3. Insulated tracer wire required for PVC watermain.