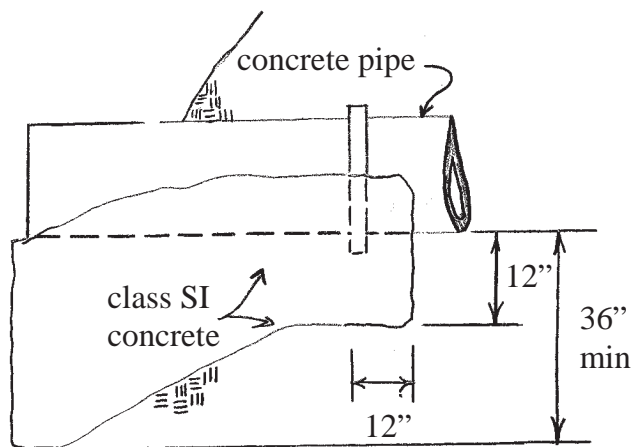
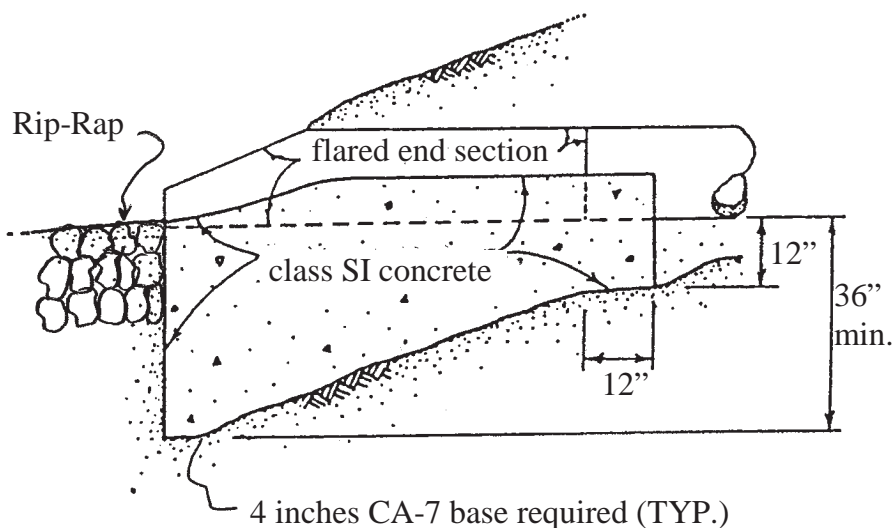
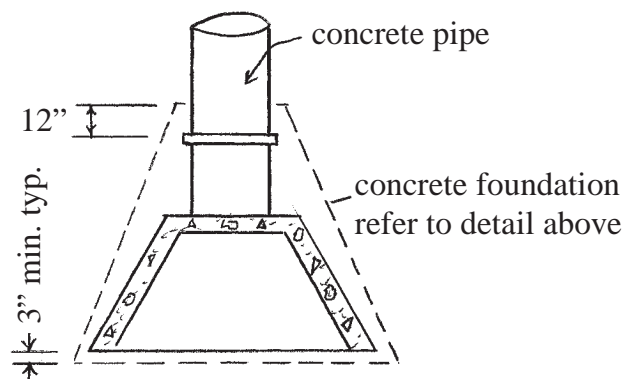


# VILLAGE OF VERNON HILLS EXHIBIT NO. 10

## FOUNDATION FOR HEADWALLS, SUBMERGED PIPE AND FLARED END SECTION



Submerged Pipe



Headwall  
-Plan-

**Notes:**

1. Width of the foundation shall be minimum three inches wider than the headwall, pipe, or flared end section. The top of foundation shall extend half-way up the side of the headwall, pipe, or flared end section.
2. The bottom of the foundation shall rest on undisturbed earth. The bottom of the foundation shall be no less than three feet deep at the open end of the headwall, pipe, or flared end section. 4 inches of CA-7 crushed limestone base is required.
3. The precast toe block or concrete block may be used to support the headwall, pipe, or flared end section.
4. Grates are required for all flared end sections 12 inch diameter or greater