

This hand out is for REFERENCE ONLY. For more details see specific code sections.

## FIRE STOPPING

**R602.8 Fireblocking required.** Fireblocking shall be provided to cut off all concealed draft openings (both vertical and horizontal) and to form an effective fire barrier between stories, and between a top story and the roof space. Fireblocking shall be provided in wood-frame construction in the following locations:

1. In concealed spaces of stud walls and partitions, including furred spaces, at the ceiling and floor level and at 10 foot (3048 mm) intervals both vertical and horizontal. Batts or blankets of mineral or glass fiber or other approved non-rigid materials shall be allowed as fireblocking in walls constructed using parallel rows of studs or staggered studs.
2. At all interconnections between concealed vertical and horizontal spaces such as occur at soffits, drop ceilings and cove ceilings.
3. In concealed spaces between stair stringers at the top and bottom of the run. Enclosed spaces under stairs shall comply with Section R314.8.
4. At openings around vents, pipes, and ducts at ceiling and floor level, with an approved material to resist the free passage of flame and products of combustion.
5. For the fireblocking of chimneys and fireplaces, see Section R1001.16.
6. Fireblocking of cornices of a two-family dwelling is required at the line of dwelling unit separation.

**R602.8.1 Materials.** Except as provided in Section R602.8, Item 4, fireblocking shall consist of 2-inch (51 mm) nominal lumber, or two thicknesses of 1-inch (25.4 mm) nominal lumber with broken lap joints, or one thickness of  $2\frac{3}{32}$ -inch (19.8 mm) wood structural panels with joints backed by  $2\frac{3}{32}$ -inch (19.8 mm) wood structural panels or one thickness of  $\frac{3}{4}$ -inch (19.1 mm) particleboard with joints backed by  $\frac{3}{4}$ -inch (19.1 mm) particleboard,  $\frac{1}{2}$ -inch (12.7 mm) gypsum board, or  $\frac{1}{4}$ -inch (6.4 mm) cement-based millboard. Batts or blankets of mineral wool or glass fiber or other approved materials installed in such a manner as to be securely retained in place shall be permitted as an acceptable fire block. Loose-fill insulation material shall not be used as a fire block unless specifically tested in the form and manner intended for use to demonstrate its ability to remain in place and to retard the spread of fire and hot gases.

**R602.8.1.2 Fireblocking integrity.** The integrity of all fireblocks shall be maintained.

APPLICATION AND COMMENTARY

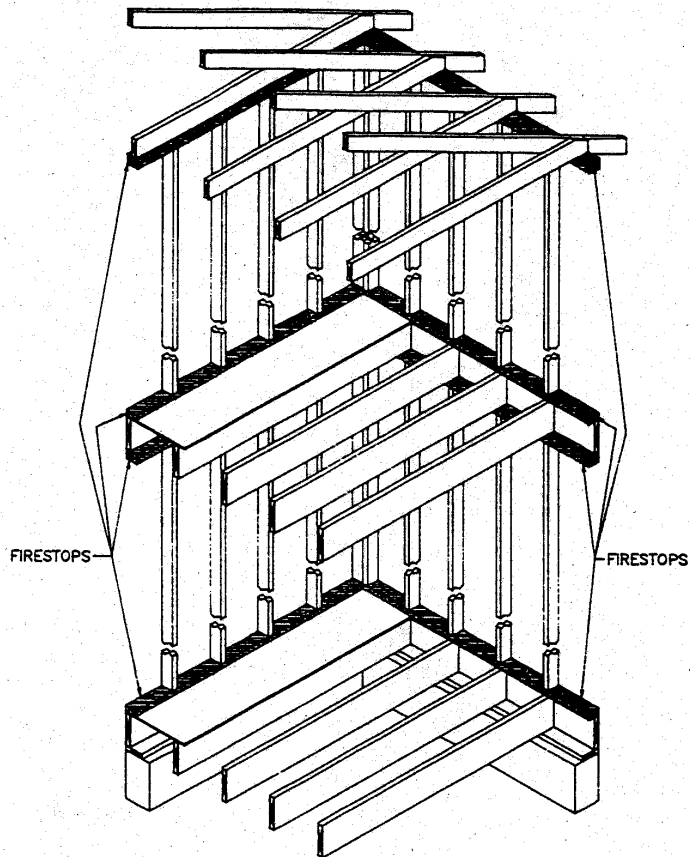
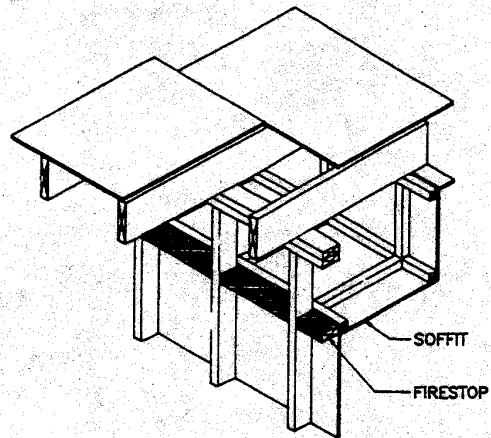


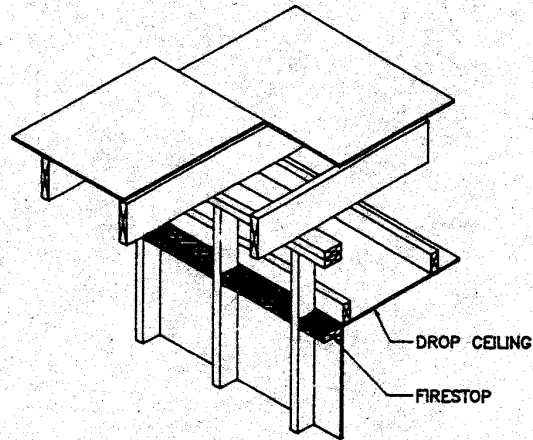
FIGURE 602.7b  
FIRESTOPPING — PLATFORM FRAMING

2. At all interconnections between concealed vertical and horizontal spaces such as soffits (Figure 602.7c), dropped ceilings (Figure 602.7d) and cove ceilings (Figure 602.7e). Interconnections such as shown in Figure 602.7f for a bathtub installation must also be firestopped.

**WALL CONSTRUCTION**

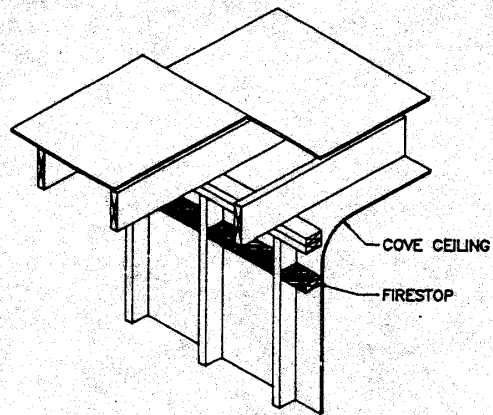


**FIGURE 602.7c  
FIRESTOPPING — FURRED SOFFIT**

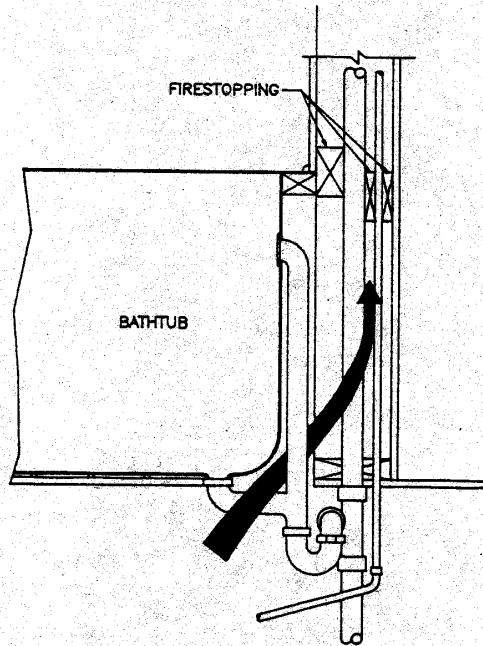


**FIGURE 602.7d  
FIRESTOPPING — DROPPED CEILING**

**APPLICATION AND COMMENTARY**



**FIGURE 602.7e  
FIRESTOPPING — COVE CEILING**



**FIGURE 602.7f  
FIRESTOPPING — AT TUB**

3. In concealed spaces between stair stringers at the top and bottom of the run (see Figure 602.7g).

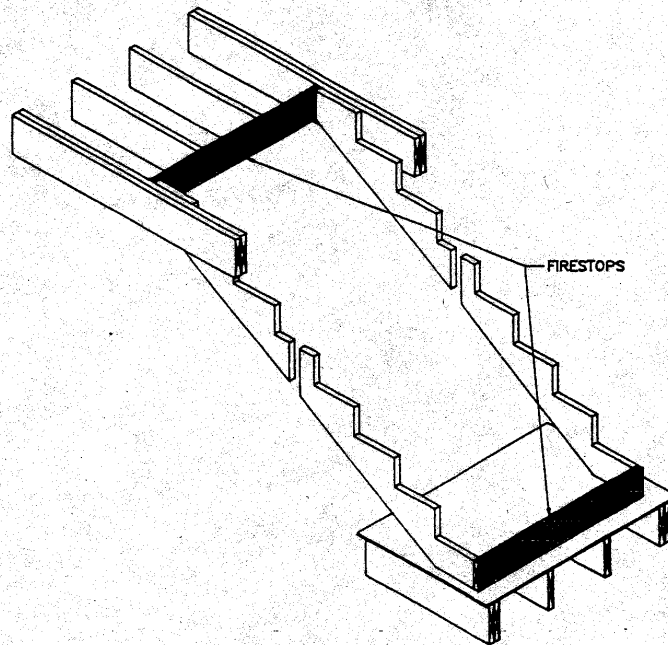


FIGURE 602.7g  
FIRESTOPPING — AT STAIRWAYS

4. At openings around vent pipes, ducts, chimneys and fireplaces at ceiling and floor levels with noncombustible materials (see Figures 602.7h and 602.7i). Figure 602.7i illustrates firestopping at chimneys and fireplaces. The firestopping at ductwork would be similar.

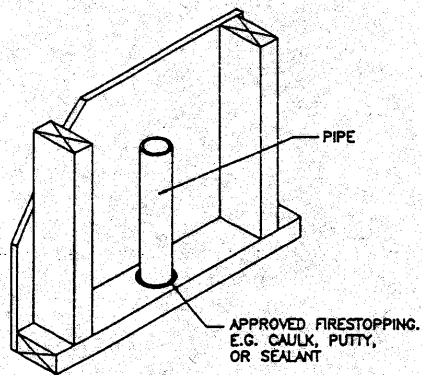
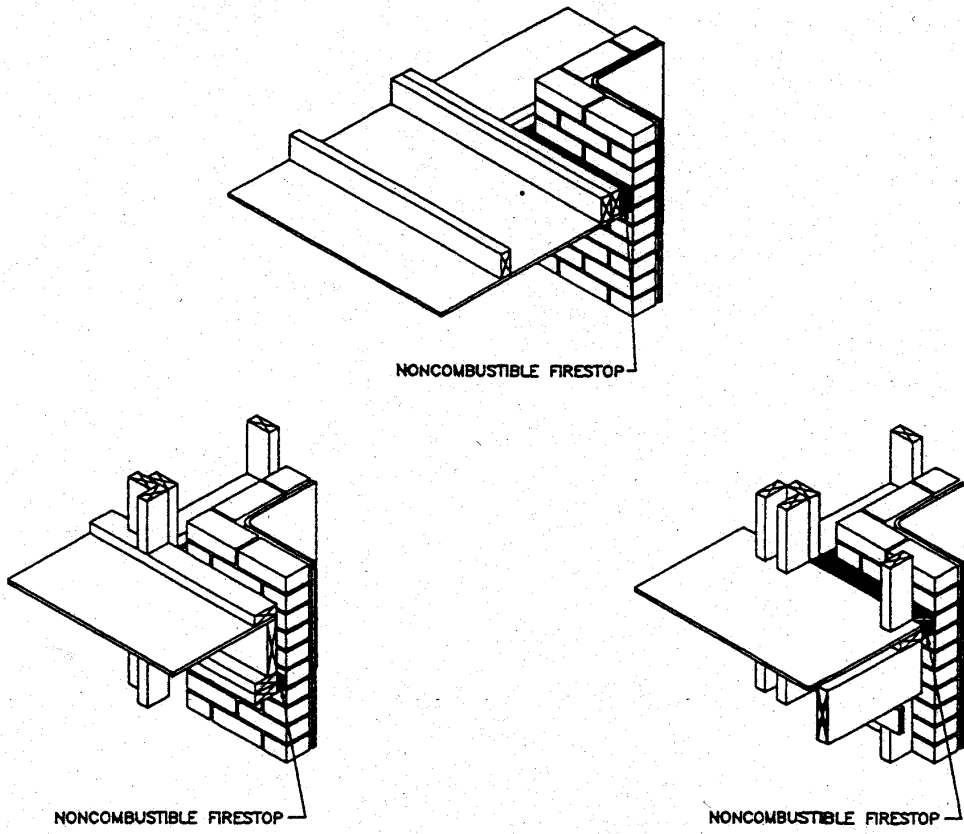


FIGURE 602.7h  
FIRESTOPPING — AROUND PIPING

**APPLICATION AND COMMENTARY**



**FIGURE 602.71  
FIRESTOPPING — AROUND CHIMNEYS AND FIREPLACES.**