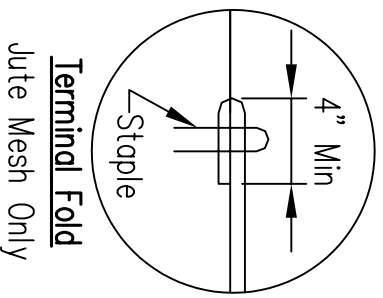
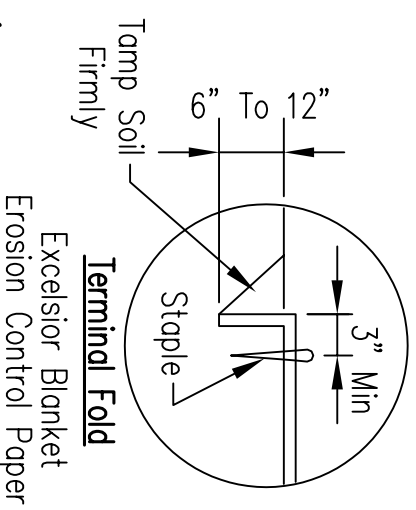


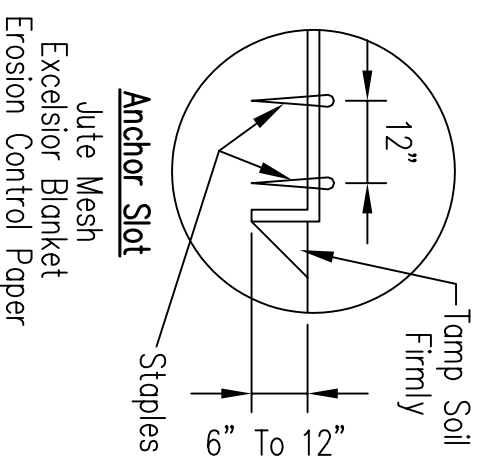
- NOTES:**
1. On erosion control paper, check slots, in ditch channel shall be spaced so that one occurs within each 50' on slopes of more than 4% and less than 6%. On slopes of 6% or more, they shall be spaced so that one occurs within each 25'.
 2. Staples are to be placed alternately, in columns approximately 2' apart and in rows approximately 3' apart. Approximately 175 staples are required per 4' x 225' roll of material and 125 staples are required per 4' x 150' roll of material.
 3. Erosion control material shall be placed loosely over ground surface. Do not stretch.
 4. All terminal ends and transverse laps shall be stapled at approximately 12" intervals.



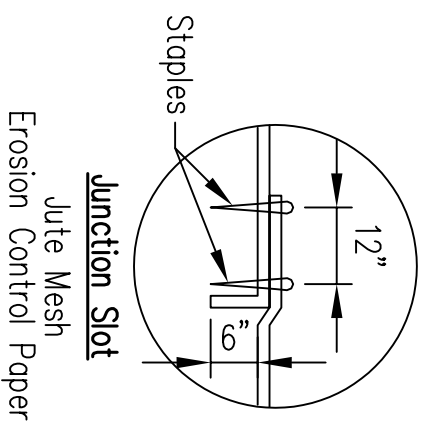
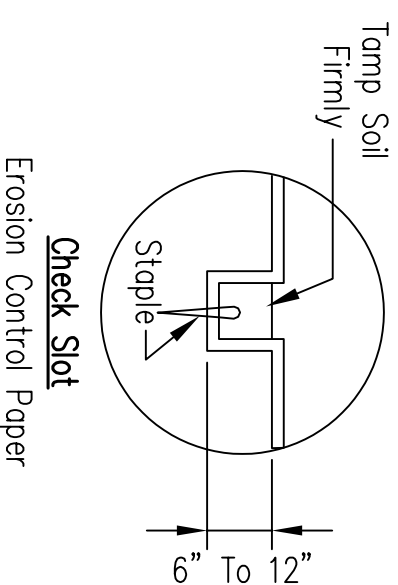
DETAIL 1



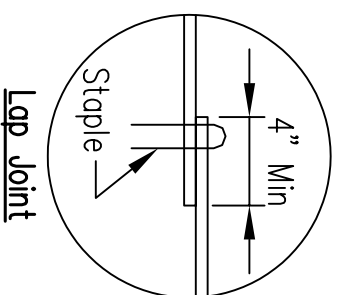
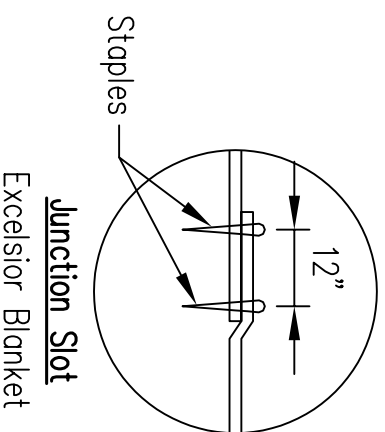
DETAIL 3



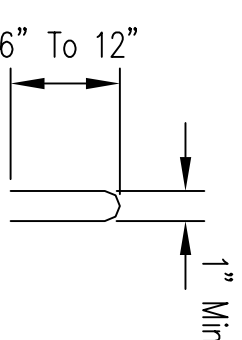
DETAIL 4



DETAIL 2



DETAIL 5



		Date
Designed		
Drawn	M. QUINONES	7/05
Checked		
Approved		

EROSION BLANKET INSTALLATION DETAILS



Natural Resources Conservation Service
United States Department of Agriculture

File No.
1L-ENG-61
Drawing No.